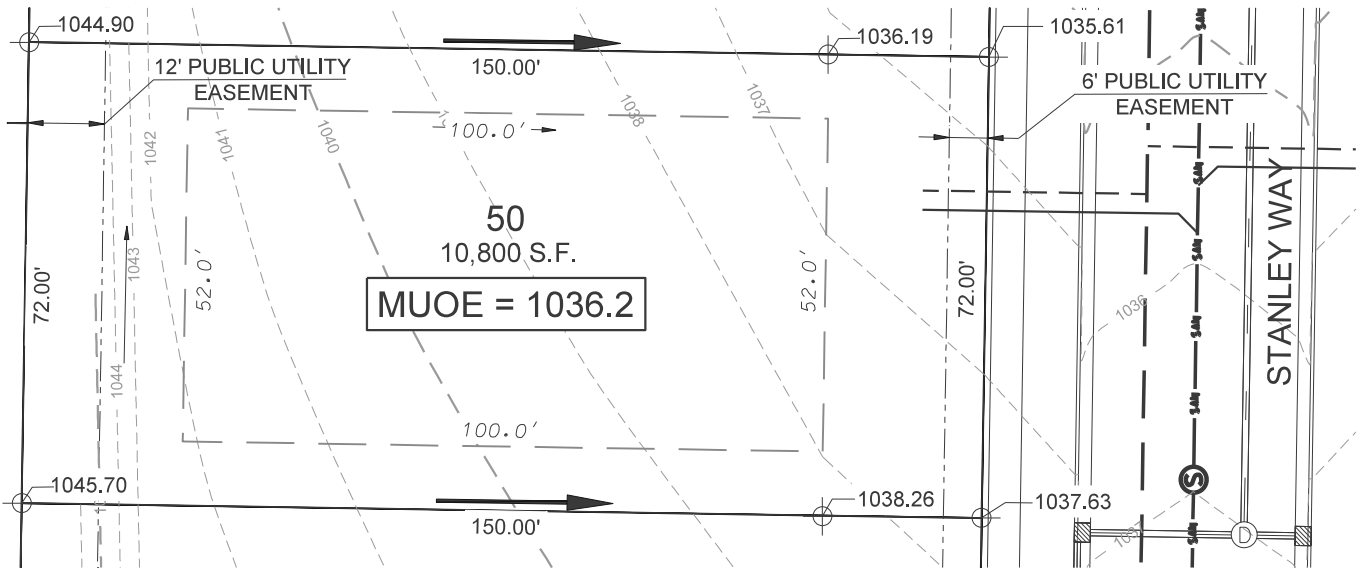


Kettle Creek North - Lot 50



FRONT YARD SETBACK = 25'
REAR YARD SETBACK = 25'
SIDE YARD SETBACK = 10'



D'ONOFRIO KOTTKE AND ASSOCIATES, INC.
7530 Westward Way, Madison, WI 53717
Phone: 608.833.7530 • Fax: 608.833.1089
YOUR NATURAL RESOURCE FOR LAND DEVELOPMENT



0 30
Scale 1" = 30'

DATE: 06-28-24
F.N.: 22-05-110
REV.

DRAWN BY: DWS